

# Omni™

## LED Tunnel Light Fixture

### Product Manual



CE  IP65

E-Lite OptoTech Co., Ltd.

[http:// www.elite-opto.com](http://www.elite-opto.com)

## Contents

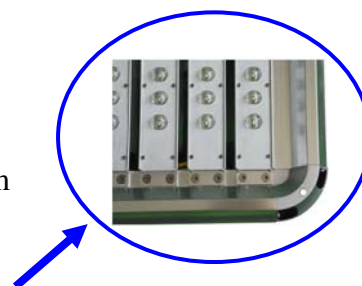
1 Product Description .....	1
1.1 Material Summary .....	1
1.2 Major Applications .....	1
1.3 Features .....	1
2 Technical Parameters .....	1
3 Product Profile .....	8
4 Installation Guide.....	10
5 Troubleshooting .....	12
6 Packaging Information.....	13
7 Lamp Comparison - LED vs Conventional .....	13
8 Other Star Product Highlight .....	14

## 1 Product Description



### 1.1 Material Summary

- 1) Aluminum alloy frame
- 2) Proprietary modular-based heat sink in high purity aluminum
- 3) Cree XPC/XPE LEDs
- 4) UL Listed high efficiency driver IP67 rated



### 1.2 Major Applications

Suitable for outdoor and/or dusty environment illumination such as for tunnels, billboards, building contour, public squares, sport stadiums, factories, railway stations and harbors, etc.

### 1.3 Features

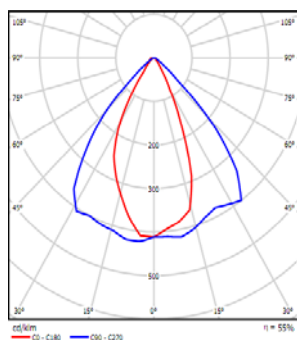
- Complete produce range from 40W to 150W
- Extremely high lux output up to 13600lm
- Original Cree outdoor white LEDs, XP-C/XP-E
- Smart modular design ensures superior heat management
- IP 65 rated, water and dust proof
- Voltage input 110-240VAC or 110-277VAC, 50/60Hz at choice
- Selectable color temperature from 2700K to 7000K
- Long operation life time, above 50,000 hours. Low maintenance costs
- Ideal replacement of 120W to 1000W conventional metal halide lamps

- Energy saving more than 60%
- Environmental friendly. Lead and mercury free
- Instant ON/OFF operation, no more waiting for warm up
- Superior color rendition compared to conventional luminaire
- Resistant to shock and vibration

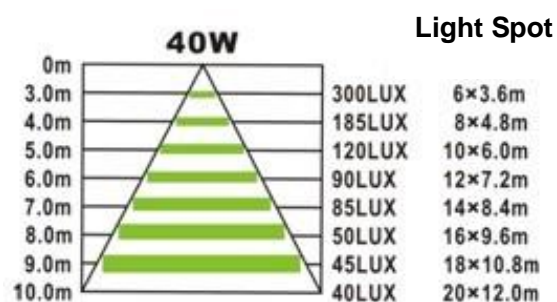
## 2 Technical Parameters

Input Voltage	AC 90~264V
Driver Power Frequency	47~63Hz
Driver Power Efficiency	≥90%
Total Power Consumption	40W/60W/90/120W/150W
Power Factor(PF)	≥0.95
Luminaire Efficiency	≥94%
Flux (Lumens)	3500~13600lm
Color Rendering Index	≥80
Color Temperature	2700~7000K Optional
Brightness Uniformity	0.7
Beam Angle	60/90 dgr
Light Spot	Rectangular
Working Ambient Temperature	-35℃~+50℃
Working Ambient Humidity	15%~90%RH
IP Rating	IP65
Service Life	≥50000hours
Fixture Materials	Alu Alloy + PC Lens

Product Name	40W LED Tunnel Light		
Item No.	EL-TL-40		
Optical Parameter		Electrical Parameter	
LED Chip	CREE XPE	Input Voltage	AC 100~240V/100~277V
Light Source	CREE LED Chip of 1~3W	Power Frequency of Driver	47~63Hz
LED Quantity	20	Output Voltage	DC 3~42V
Color Temperature	2700~7000K Optional	Output Current	2.8A (Constant Current)
Luminaire Efficiency	≥94%	Total Power Consumption	52W±5W
Luminous Efficacy	≥80lm/W	LED Power Consumption	44W±5W
Flux	2900~3400lm	Power Efficiency of Driver	≥85%
Color Rendering Index	≥80	Power Factor	≥0.95
Beam Angle	60/90 Dgr	Total Harmonic Distortion	≤15%
Heat Sink Surface Temperature	43°C (@ Ambient Temperature 30°C)	Service Life	≥50000Hrs
Base Plate Temperature	45°C (@ Ambient Temperature 30°C)	Light Fixture Material	Aluminum alloy + PC Lens
Working Ambient Temperature	-35~+55°C	IP Rating	IP65
Working Ambient Humidity	15%~90%RH	Net Weight	4.3kg±0.2kg
Storage Ambient Temperature	-30~+65°C	Light Fixture Size	L378mm×W256mm×H125mm
HPS Equivalent	120W/150W	Package Size	L458mm×W336mm×H210mm

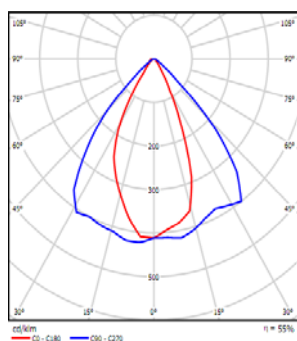


Light Distribution

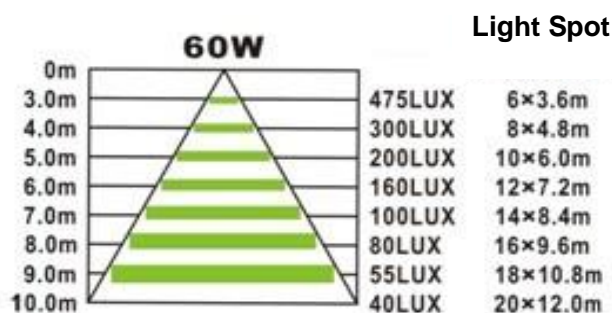


Illuminance Chart

Product Name	60W LED Tunnel Light		
Item No.	EL-TL-60		
Optical Parameter		Electrical Parameter	
LED Chip	CREE XPE	Input Voltage	AC 100~240V/100~277V
Light Source	CREE LED Chip of 1~3W	Power Frequency of Driver	47~63Hz
LED Quantity	30	Output Voltage	DC 3~34V
Color Temperature	2700~7000K Optional	Output Current	3.48A (Constant Current)
Luminaire Efficiency	≥94%	Total Power Consumption	67W±5W
Luminous Efficacy	≥80lm/W	LED Power Consumption	58W±5W
Flux	4350~5100lm	Power Efficiency of Driver	≥85%
Color Rendering Index	≥80	Power Factor	≥0.95
Beam Angle	60/90 Dgr	Total Harmonic Distortion	≤15%
Heat Sink Surface Temperature	43°C (@ Ambient Temperature 30°C)	Service Life	≥50000Hrs
Base Plate Temperature	45°C (@ Ambient Temperature 30°C)	Light Fixture Material	Aluminum alloy + PC Lens
Working Ambient Temperature	-35~+55°C	IP Rating	IP65
Working Ambient Humidity	15%~90%RH	Net Weight	5.3kg±0.3kg
Storage Ambient Temperature	-30~+65°C	Light Fixture Size	L378mm×W340mm×H125mm
HPS Equivalent	120W/150W	Package Size	L458mm×W420mm×H210mm

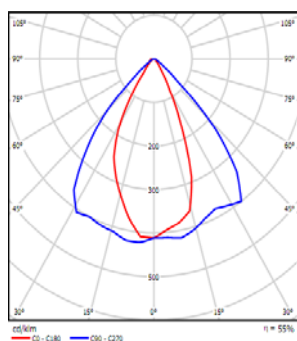


Light Distribution

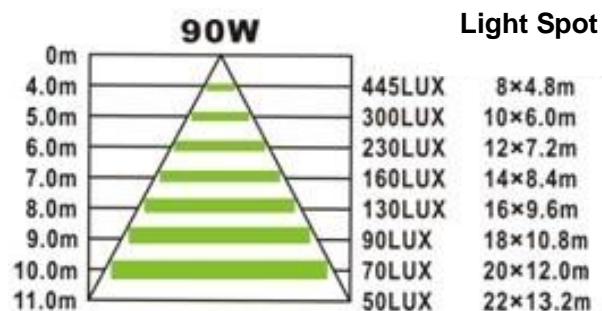


Illuminance Chart

Product Name	90W LED Tunnel Light		
Item No.	EL-TL-90		
Optical Parameter		Electrical Parameter	
LED Chip	CREE XPE	Input Voltage	AC 100~240V/100~277V
Light Source	CREE LED Chip of 1~3W	Power Frequency of Driver	47~63Hz
LED Quantity	48	Output Voltage	DC 42~56V
Color Temperature	2700~7000K Optional	Output Current	3.6A (Constant Current)
Luminaire Efficiency	≥94%	Total Power Consumption	100W±5W
Luminous Efficacy	≥80lm/W	LED Power Consumption	90W±5W
Flux	6960~8160lm	Power Efficiency of Driver	≥88%
Color Rendering Index	≥80	Power Factor	≥0.95
Beam Angle	60/90 Dgr	Total Harmonic Distortion	≤15%
Heat Sink Surface Temperature	44°C (@ Ambient Temperature 30°C)	Service Life	≥50000Hrs
Base Plate Temperature	46°C (@ Ambient Temperature 30°C)	Light Fixture Material	Aluminum alloy + PC Lens
Working Ambient Temperature	-35~+55°C	IP Rating	IP65
Working Ambient Humidity	15%~90%RH	Net Weight	5.8kg±0.3kg
Storage Ambient Temperature	-30~+65°C	Light Fixture Size	L520mm×W340mm×H125mm
HPS Equivalent	150W/180W	Package Size	L600mm×W420mm×H210mm

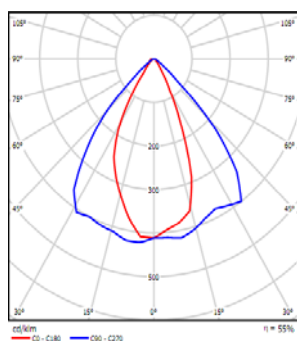


Light Distribution



Illuminance Chart

Product Name	120W LED Tunnel Light		
Item No.	EL-TL-120		
<b>Optical Parameter</b>		<b>Electrical Parameter</b>	
LED Chip	CREE XPE	Input Voltage	AC 100~240V/100~277V
Light Source	CREE LED Chip of 1~3W	Power Frequency of Driver	47~63Hz
LED Quantity	64	Output Voltage	DC 42~56V
Color Temperature	2700~7000K Optional	Output Current	4.8A (Constant Current)
Luminaire Efficiency	≥94%	Total Power Consumption	143W±5W
Luminous Efficacy	≥80lm/W	LED Power Consumption	121W±5W
Flux	9280~10880lm	Power Efficiency of Driver	≥89%
Color Rendering Index	≥80	Power Factor	≥0.95
Beam Angle	60/90 Dgr	Total Harmonic Distortion	≤15%
Heat Sink Surface Temperature	45°C (@ Ambient Temperature 30°C)	Service Life	≥50000Hrs
Base Plate Temperature	47°C (@ Ambient Temperature 30°C)	Light Fixture Material	Aluminum alloy + PC Lens
Working Ambient Temperature	-35~+55°C	IP Rating	IP65
Working Ambient Humidity	15%~90%RH	Net Weight	8.2kg±0.4kg
Storage Ambient Temperature	-30~+65°C	Light Fixture Size	L520mm×W424mm×H125mm
HPS Equivalent	250W/400W	Package Size	L600mm×W504mm×H210mm

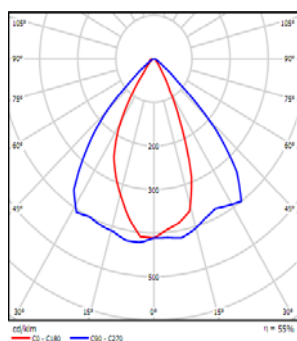


Light Distribution



Illuminance Chart

Product Name	150W LED Tunnel Light		
Item No.	EL-TL-150		
Optical Parameter		Electrical Parameter	
LED Chip	CREE XPE	Input Voltage	AC 100~240V/100~277V
Light Source	CREE LED Chip of 1~3W	Power Frequency of Driver	47~63Hz
LED Quantity	80	Output Voltage	DC 42~56V
Color Temperature	2700~7000K Optional	Output Current	6.0A (Constant Current)
Luminaire Efficiency	≥94%	Total Power Consumption	175W±5W
Luminous Efficacy	≥80lm/W	LED Power Consumption	151W±5W
Flux	11600~13600lm	Power Efficiency of Driver	≥91%
Color Rendering Index	≥80	Power Factor	≥0.95
Beam Angle	60/90 Dgr	Total Harmonic Distortion	≤15%
Heat Sink Surface Temperature	45°C (@ Ambient Temperature 30°C)	Service Life	≥50000Hrs
Base Plate Temperature	47°C (@ Ambient Temperature 30°C)	Light Fixture Material	Aluminum alloy + PC Lens
Working Ambient Temperature	-35~+55°C	IP Rating	IP65
Working Ambient Humidity	15%~90%RH	Net Weight	10.2kg±0.4kg
Storage Ambient Temperature	-30~+65°C	Light Fixture Size	L520mm×W508mm×H125mm
HPS Equivalent	250W/400W	Package Size	L600mm×W588mm×H210mm

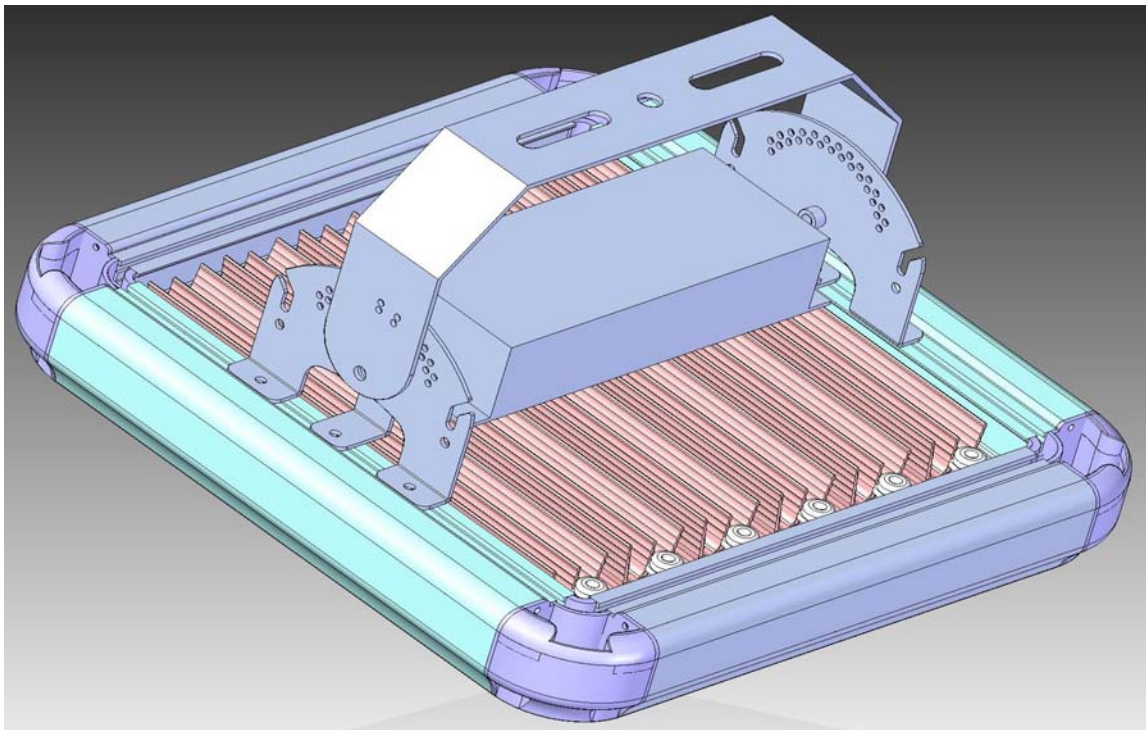
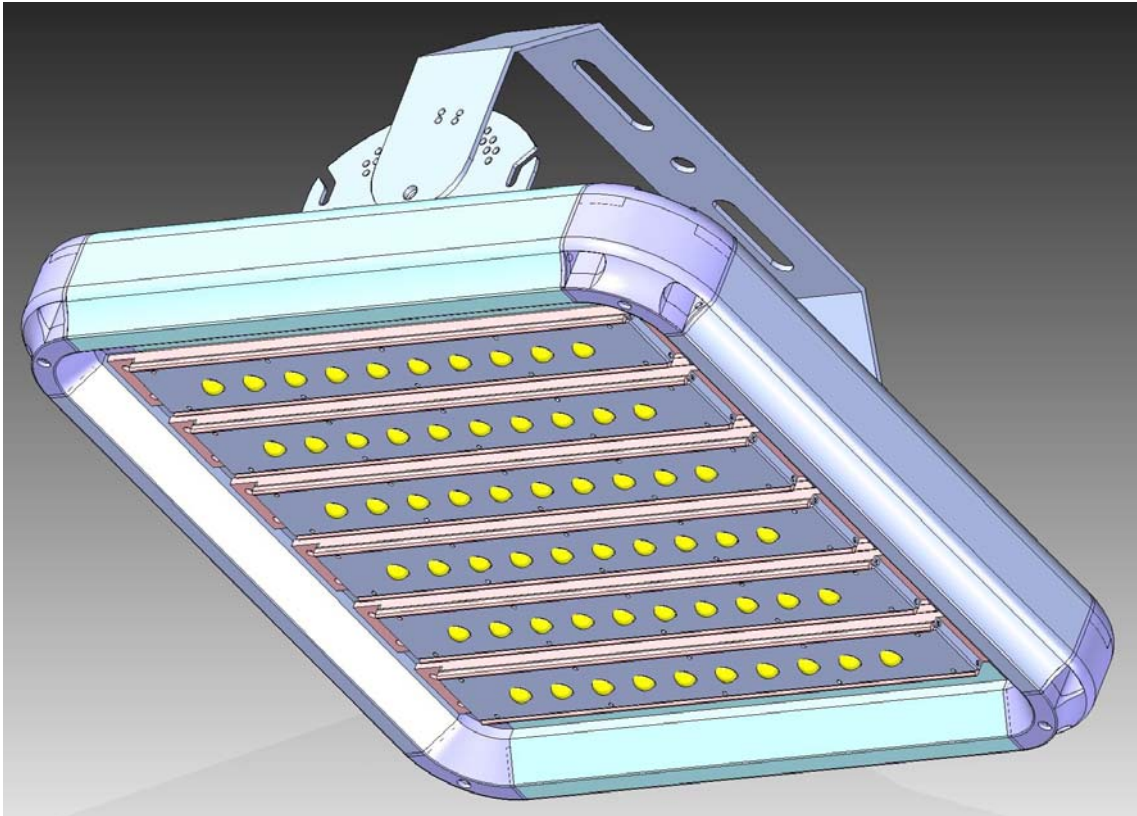


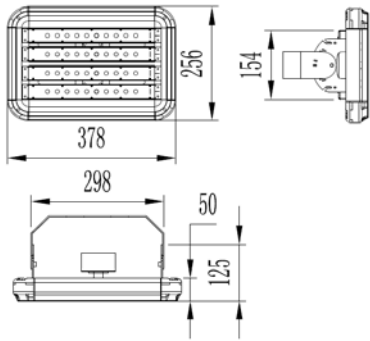
Light Distribution



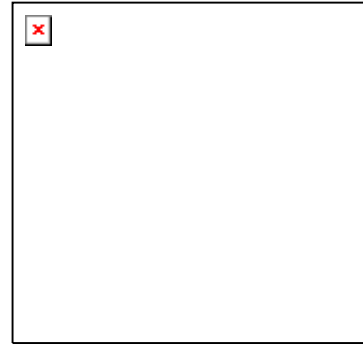
Illuminance Chart

### 3 Product Profile

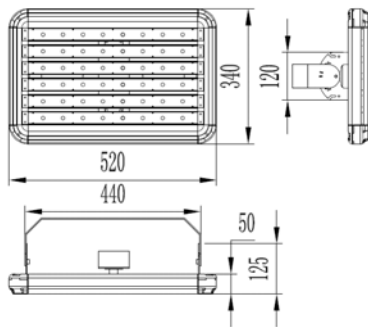




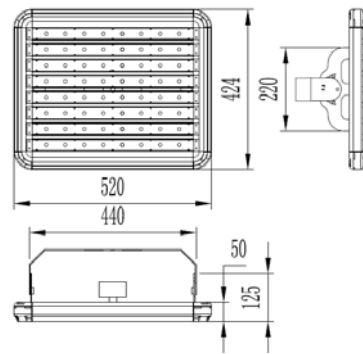
**40W**



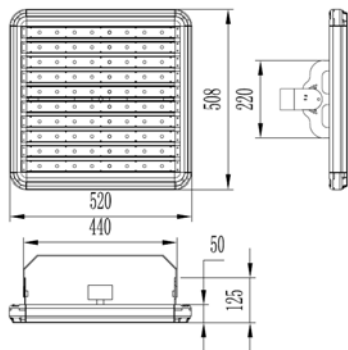
**60W**



**90W**



**120W**



**150W**

## 4 Installation Guide

1. Check carefully to ensure all screws and the handle are prepared in the package.



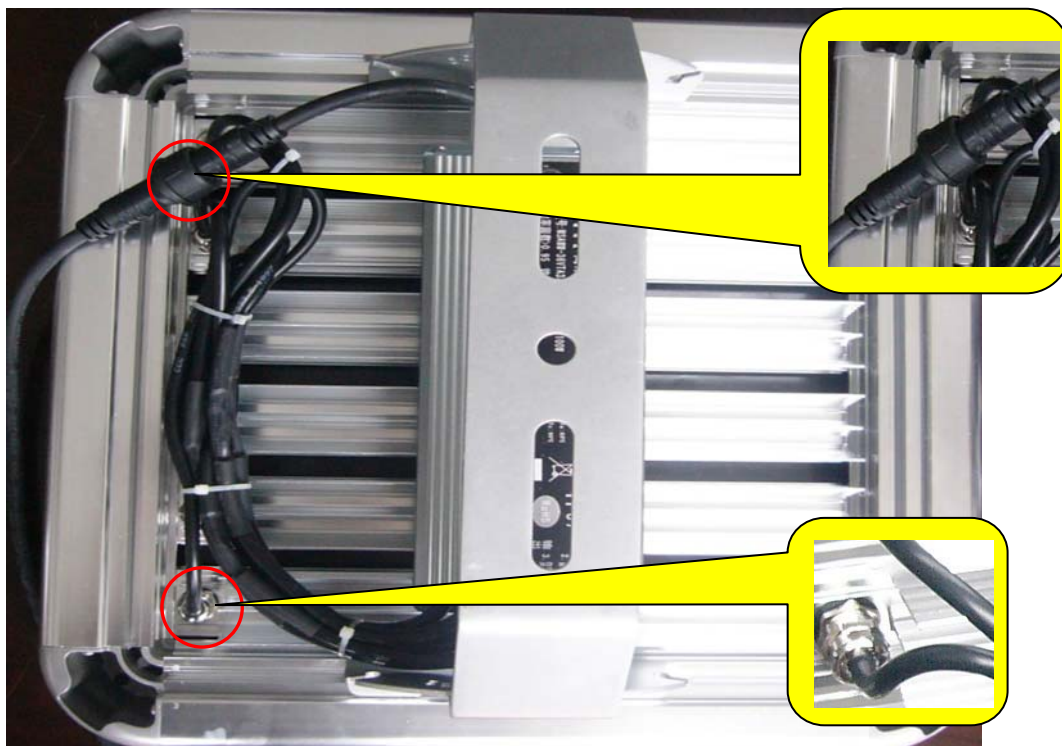
2. Remove the screws from the light bracket



3. Fix the handle to the light body with the screws and ensure all the screws are securely tightened.



4. Double check all the cable connections are properly done before hanging and power up.



**Caution:**

- ✓ Turn off power before cable connection
- ✓ Anti-static hand ring is required when replacing any electronics components
- ✓ Ensure all the AC power connections are properly done before turning power on.
- ✓ Do not touch the power driver when power is on
- ✓ Turn off power in case of any maintenance.

**5 Troubleshooting**

Description	Analysis	Solution
LED lamp doesn't light	1. Check whether the power line connection is right;	1. Reconnect the power line in the right way;
	2. Check whether the power plug is loose;	2. Re-plugged the loose power plug;
	3. Driving power supply failure;	3. Replace with new driver;
	4. LED light source has been damaged.	4. Replace a new LED light source.
LED lamp light output is dim	1. Driving power output is abnormal;	1. Replace with new driver;
	2. LED light source supply failure.	2. Replace with new LED light source.
LED lamp is flashing	3. Driver output is abnormal;	3. Replace with new driver;

## 6 Packaging Information



## 7 Lamp Comparison - LED vs Conventional

E-Lite LED Floodlight	Flux(lm)	Power	Equivalent power of metal halide lamp
EL-TN-40	3500~4500	40W	120W
EL-TN-60	5500~6500	60W	180W
EL-TN-90	6960~8160	90W	250W
EL-FL-120	9280~10880	120W	400W
EL-FL-150	11600~13600	150W	400W

## 8 Other Star Product Highlight



### UltraBrite LED Bay Light

E-Lite UltraBrite™ series LED High Bay light reaches 18000 lumens for mounting height upto 20 metre, the 200W LED High Bay light is equivalent to 700W conventional HPS/HID.



**The best choice of energy saving, environment friendly and light pollution-free.**

### LedsPark™ LED Garage Lighting

1.60% power saving, 90% reduction in greenhouse gas emission. Long lifetimes and highly reliable service, greatly reducing maintenance costs.

2.LED's own cutoff light property provides high vertical illuminance with minimum glare.

3. For the safety and security of people entering and leaving their vehicles, and easy identification of open parking spaces for traffic flow, vertical illumination in the parking zones is required. This is best approached through direct high angle illumination, combined with ambient indirect lighting to reduce harsh shadows and contrast.

**THANK YOU FOR CHOOSING E-LITE**



## **CONTACT US:**

**E-Lite OptoTech Co., Ltd.**  
**Address: Han's Laser Industrial Park, No.128,**  
**Chongqing Road, Bao'an District,**  
**Shenzhen,**  
**China/PRC**

**Tel: 0755-8611-9063**  
**Fax: 0755-2675-5760**  
**E-mail: [sales@elite-opto.com](mailto:sales@elite-opto.com)**  
**Website: [www.elite-opto.com](http://www.elite-opto.com)**