

UltraBrite™ LED Bay Light Fixture Product Manual

Up to 15000 lumen for 18m high-mount applications



E-Lite OptoTech Co., Ltd.

[http:// www.elite-opto.com](http://www.elite-opto.com)

Contents

1 Product Description.....	1
1.1 Major Applications.....	2
1.2 Features.....	2
2 Technical Parameters.....	3
3 Light Distribution.....	4
4 Illuminance Chart.....	4
5 Lumen Test Report.....	7
6 Product Profile.....	8
6.1 Fixture Dimensions.....	8
6.2 Components Break-Down.....	9
7 Installation Guide.....	9
8 Troubleshooting.....	14
9 Packaging Information.....	15
10 Lamp Comparison - LED vs Conventional.....	15
11 Other Star Product Highlight.....	18

1. Product Description

E-Lite UltrabrBrite™ series LED bay light fixture is designed and developed to replace traditional high bay or low bay fixtures for industrial and other rugged applications. Light weighted and easy for installation, the LED High Bay/Low Bay fixtures are all designed to offer maximum energy saving, substantially reduced maintenance costs and superior quality.

UltraBrite™ series Bay Light: 30W, 50W, 60W, 80W, 100W, lumen output up to 7200lm



UltraBrite™ series Bay Light: 120W, 150W, 200W, lumen output up to 15000lm



1.1 Major Applications

Factory production floors, Workshop, Warehouses, Road toll gates, Petrol stations, Supermarkets, Sports stadiums, Convention center halls, Airport passenger halls, etc., where high ceiling lighting required.

1.2 Features

- 1) Low power consumption. More than 60% energy saving compared to conventional HID/HPS.
- 2) Environmental friendly. Lead and mercury free.
- 3) Long operation life time, above 50,000hours. Low maintenance costs.
- 4) Voltage input 110-240VAC or 110-277VAC, 50/60Hz at choice.
- 5) Instant ON/OFF operation.
- 6) Superior color rendition compared to conventional industrial luminaire.
- 7) Selectable color temperature.
- 8) Patented single piece 30W-100W high power LED light source with unique multi-chip integration design ensure high light purity, high heat conduction and slow brightness derating.
- 9) Unique heat sink design ensures superior heat management.
- 10) Resistant to shock and vibration.



Car Park



Gas Station



Hall & Corridor

2. Technical Parameters

Input Voltage	AC 100~240V/100~277V							
Driver Power Frequency	47~63Hz							
Driver Power Efficiency	≥85%							
Total Power Consumption	30W	50W	60W	80W	100W	120W	150W	200W
Power Factor(PF)	≥0.98							
Total Harmonic Distortion	≤10%							
Luminaire Efficiency	≥90%							
Flux (Lumens)	2400	4000	4800	6000	7200	9000	11000	15000
Color Rendering Index	≥80							
Color Temperature	2700~7000K Optional							
Beam Angle	90/120 Degree Optional							
Light Efficiency	70~80lm/W							
Working Ambient Temperature	-25℃~+45℃							
Working Ambient Humidity	15%~90%RH							
IP Rating	IP30/IP54 Optional							
Service Life	≥50000 Hours							
Light Fixture Material	Aluminum Alloy							
NW (Kg)	3.2	3.6	3.9	4.5	4.9	6.2	7.7	9.5

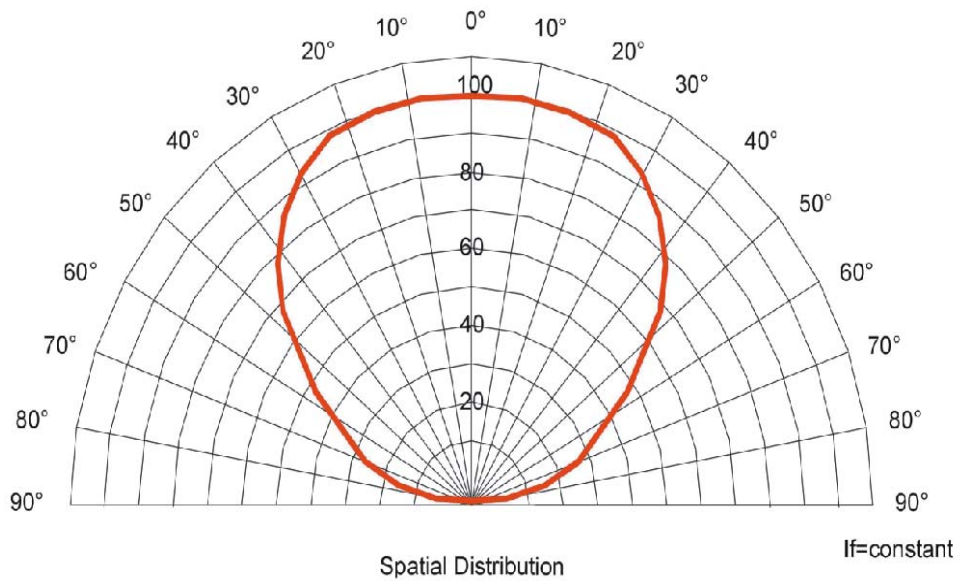


Workshop



Exhibition Hall

3. Light Distribution



4. Illuminance Chart

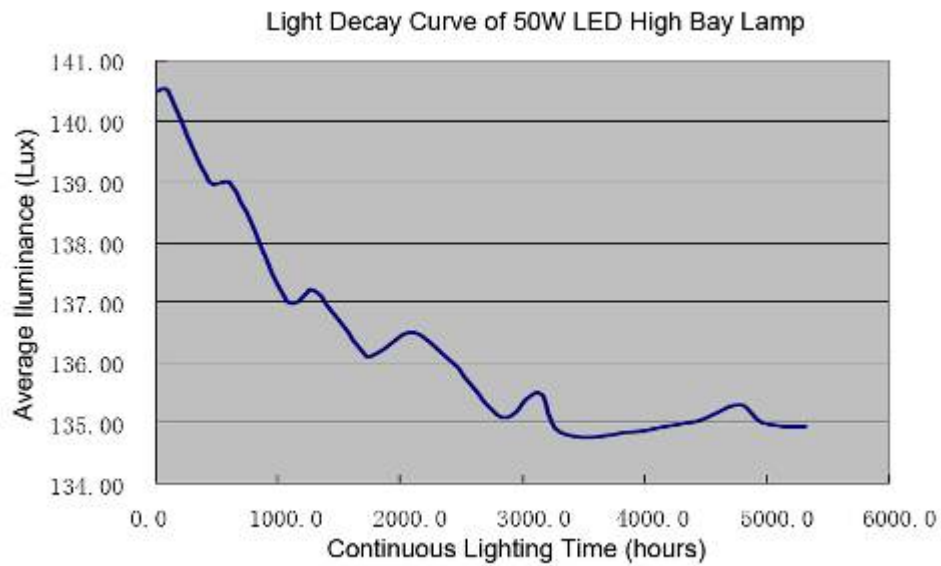
	Power	Height	Light Spot Diameter	Illuminance (lux)	
				Center Illuminance	Average Illuminance
LED High Bay/Low Bay Luminaire	30W	4m	8m	180	90
		5m	10m	110	55
		6m	12m	70	35
	50W	4m	8m	270	140
		5m	10m	175	90
		6m	12m	120	60
		7m	14m	90	45
		8m	16m	70	35
	60W	4m	8m	320	160
		5m	10m	210	105
		6m	12m	150	75
		7m	14m	110	55
		7.5m	15m	90	45
		8m	16m	70	35
	80W	4m	8m	405	205
		5m	10m	255	130
		6m	12m	170	90
		7m	14m	130	70
		8m	16m	95	50
		9m	18m	75	40
		10m	20m	65	35
	100W	4m	8m	420	255
		5m	10m	270	165
		6m	12m	190	115
		7m	14m	140	85
		8m	16m	110	65
		9m	18m	90	50
		10m	20m	70	40
11m		22m	60	35	

LED High Bay/Low Bay Luminaire	120W	8m	16m	140	85
		9m	18m	118	65
		10m	20m	90	50
		11m	22m	78	42
		12m	24m	65	36
		13m	26m	55	32
		14m	28m	45	25
		15m	30m	35	20
	150W	8m	16m	170	105
		9m	18m	145	78
		10m	20m	110	60
		11m	22m	95	50
		12m	24m	80	42
		13m	26m	65	35
		14m	28m	55	29
		15m	30m	50	25
	200W	10m	20m	145	78
		11m	22m	125	65
		12m	24m	104	55
		13m	26m	85	46
		14m	28m	77	37
		15m	30m	66	32
		16m	32m	55	28
		17m	34m	50	24
		18m	36m	42	19
		19m	38m	36	16



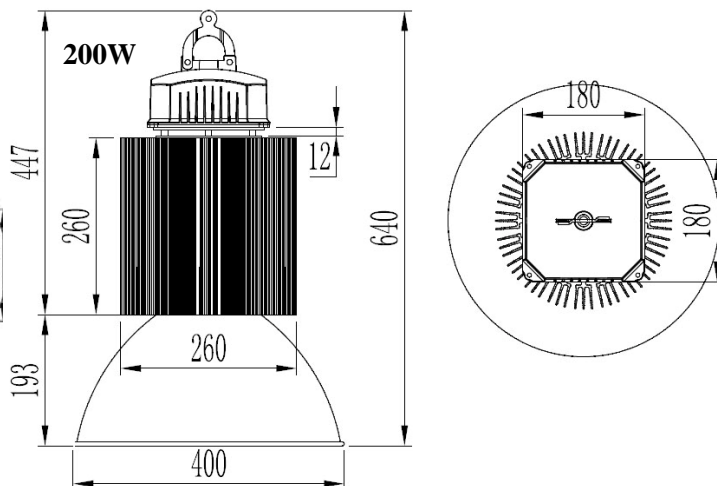
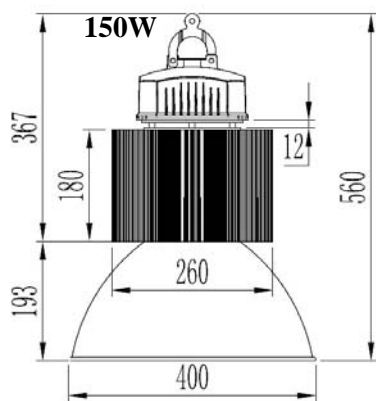
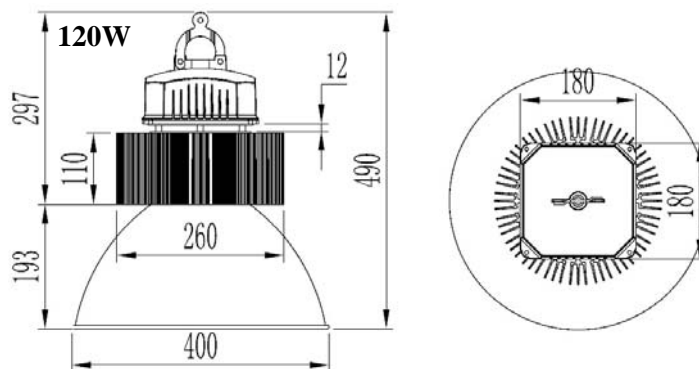
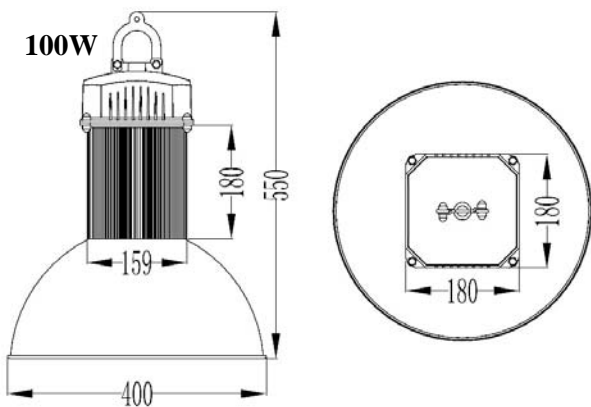
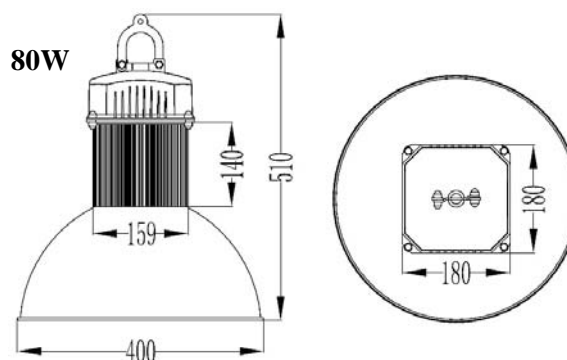
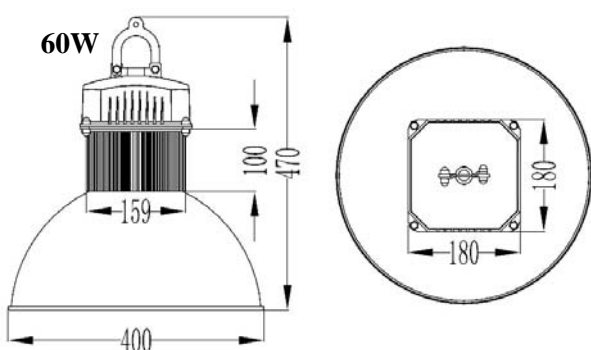
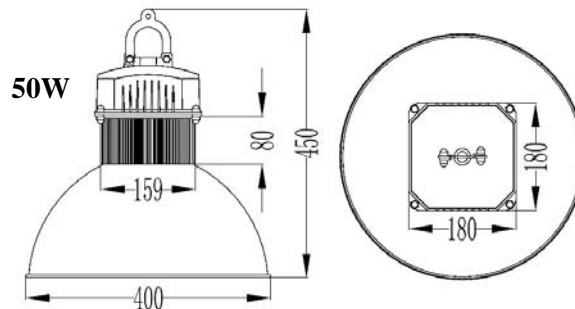
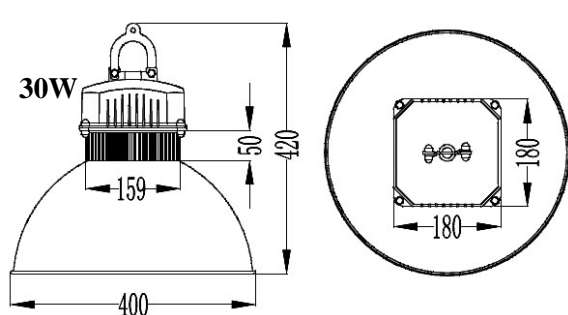
5. Lumen Test Report

All LED bay light lumen tests indicate a typical 18% light depreciation after 5328 hours' non-stop performance.

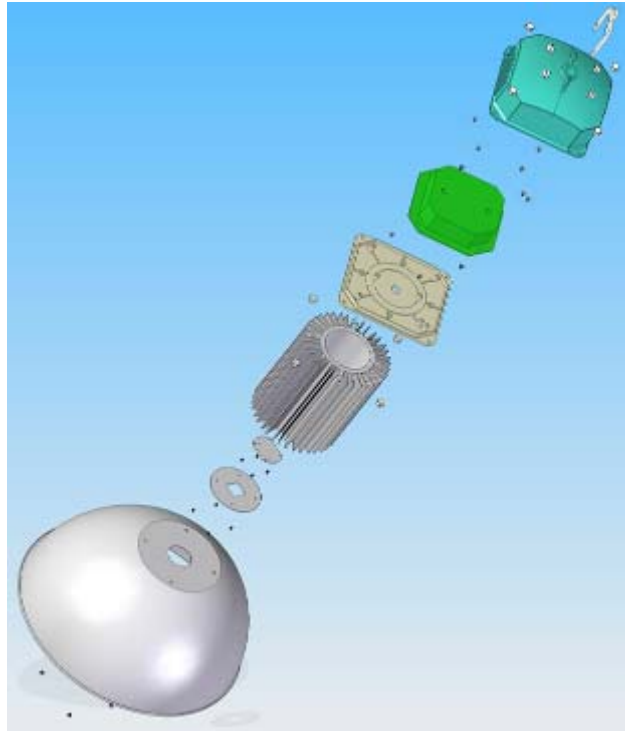


6. Product Profile

6.1 Fixture Dimensions



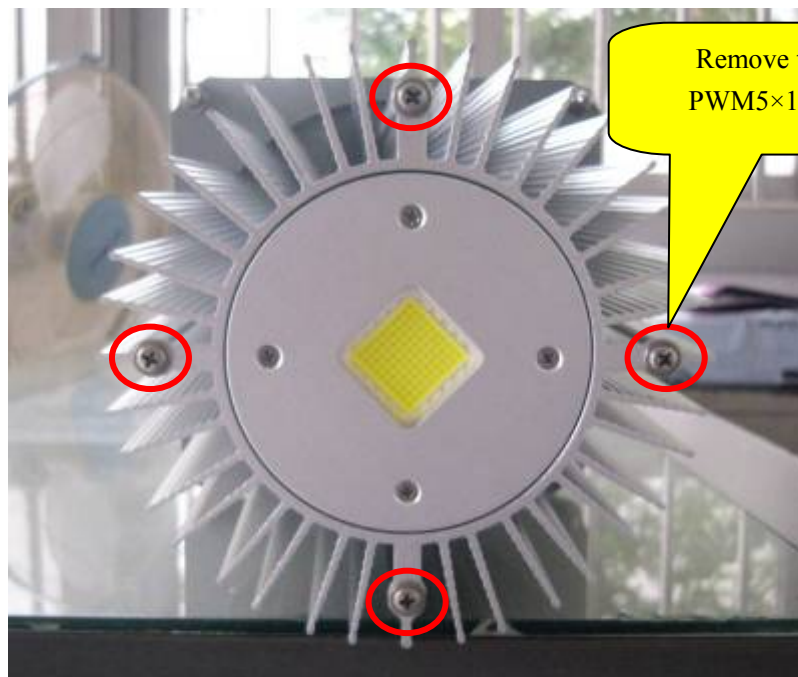
6.2 Components Break-Down



7. Installation Guide

For Bay Light Fixture at 30W, 50W, 60W, 80W and 100W

Step 1: Remove the four pieces PWM5×10 screws from the bay light fixture body, which are prefixed for shipment:



Step 2: Assemble the reflector to the lamp body with the four pieces PWM5×10 screws:



Step 3: Check and ensure the hanging ring bolts are properly tightened:



Step 4: Test light the lamp before hanging.

Step 5: Hang up the fixture to the hook from the ceiling securely:

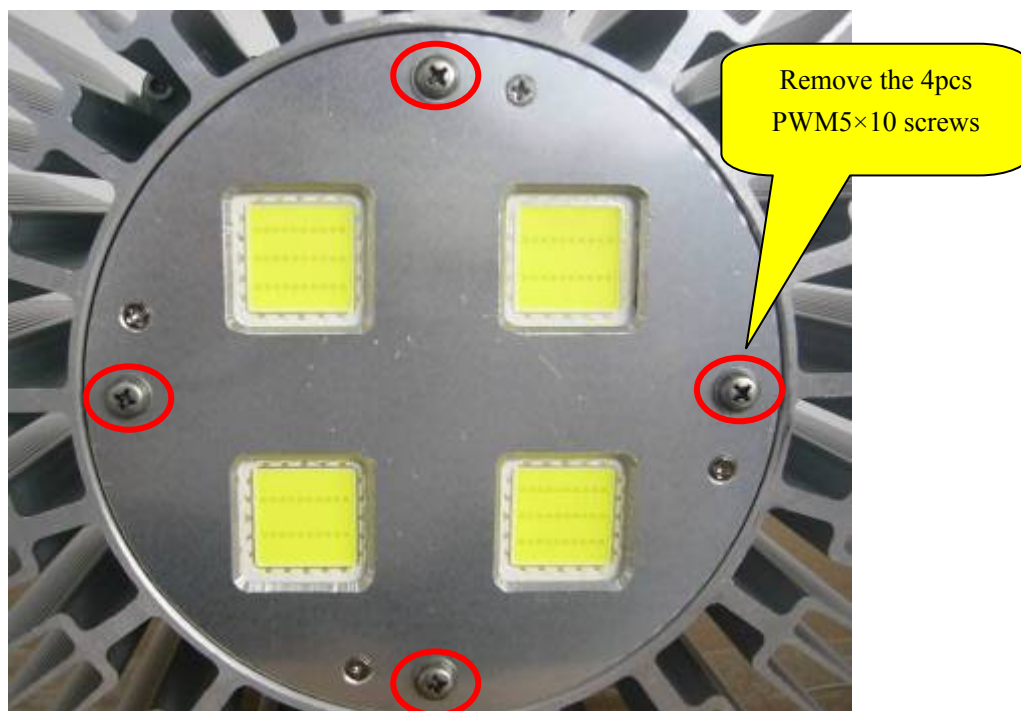


Step 6: Connect the power core and turn on the power

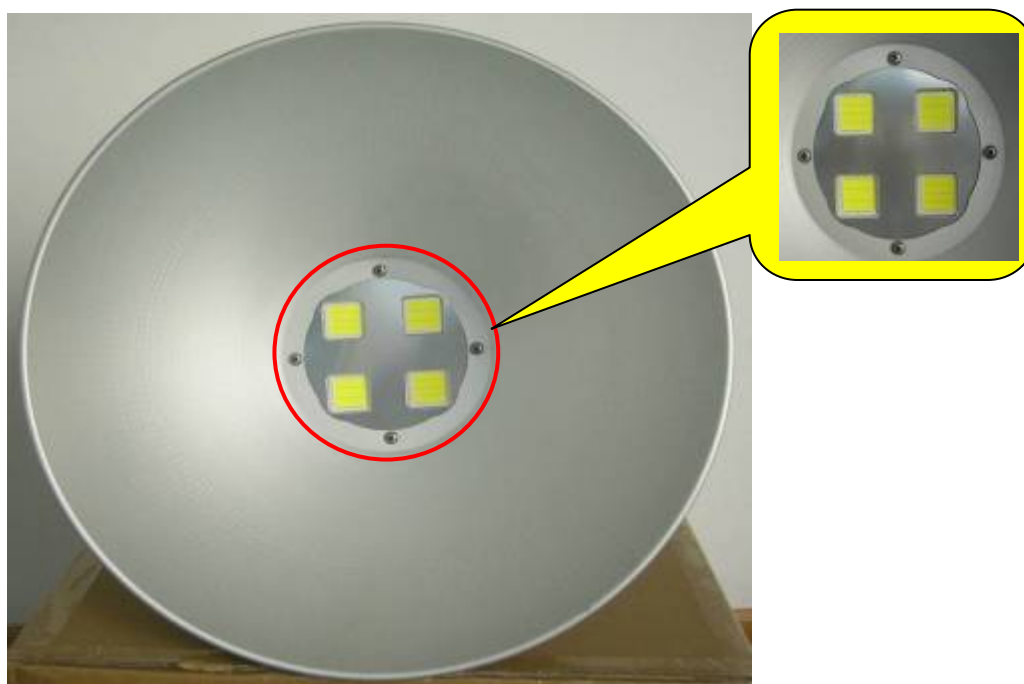


For Bay Light Fixture 120W, 150W and 200W

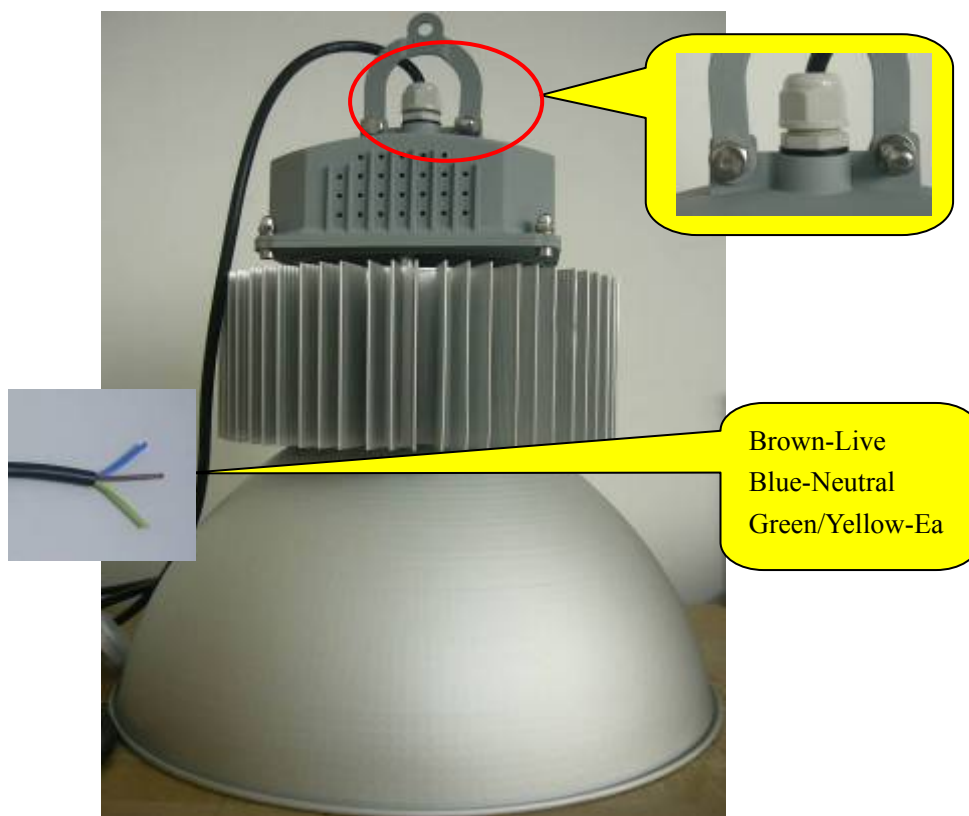
Step 1: Remove the four pieces PWM5×10 screws from the bay light fixture body, which are prefixed for shipment:



Step 2: Assemble the reflector to the lamp body with the four pieces PWM5×10 screws:



Step 3: Check and ensure the hanging ring bolts are properly tightened:



Step 4: Test light the lamp before hanging.

Step 5: Hang up the fixture to the hook from the ceiling securely. Connect the power core and turn on the power



Caution:

- ✓ Turn off power before cable connection
- ✓ Anti-static hand ring is required when replacing any electronics components
- ✓ Ensure all the AC power connections are properly done before turning power on.
- ✓ Do not touch the power driver when power is on
- ✓ Turn off power in case of any maintenance.

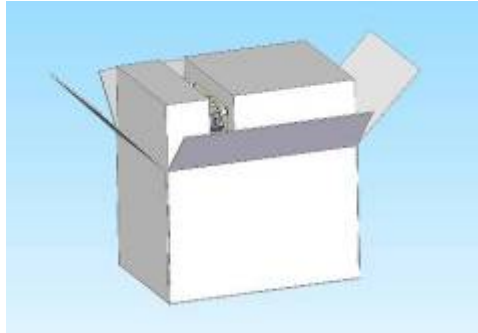
8. Troubleshooting

Description	Analysis	Solution
LED lamp doesn't light	1. Check whether the power line connection is right;	1. Reconnect the power line in the right way;
	2. Check whether the power plug is loose;	2. Re-plugged the loose power plug;
	3. Driver failure;	3. Replace with new driver
	4. LED integrated light source has been damaged.	4. Replace with a new LED integrated light source.
LED lamp light output is dim	1. Driver output is abnormal;	1. Replace with new driver;
	2. LED integrated light source supply failure.	2. Replace with new LED integrated light source.
LED lamp is flashing	3. Driver output is abnormal;	3. Replace with new driver;
	4. LED integrated chips failure.	4. Replace with new LED integrated chips.

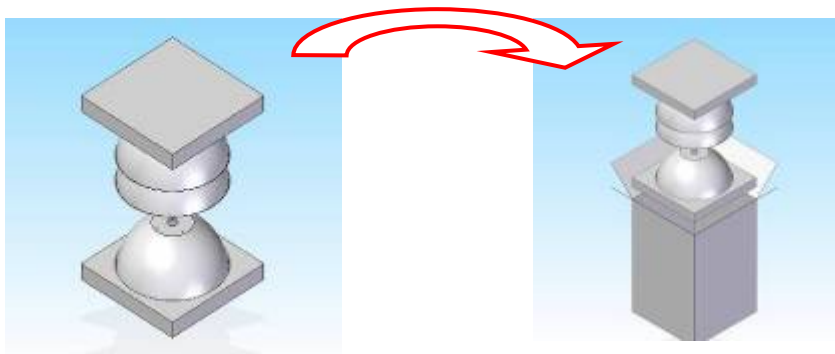


9. Package Information

LED bay light's lamp body and lamp shade are packed separately:



Lamp Body packing



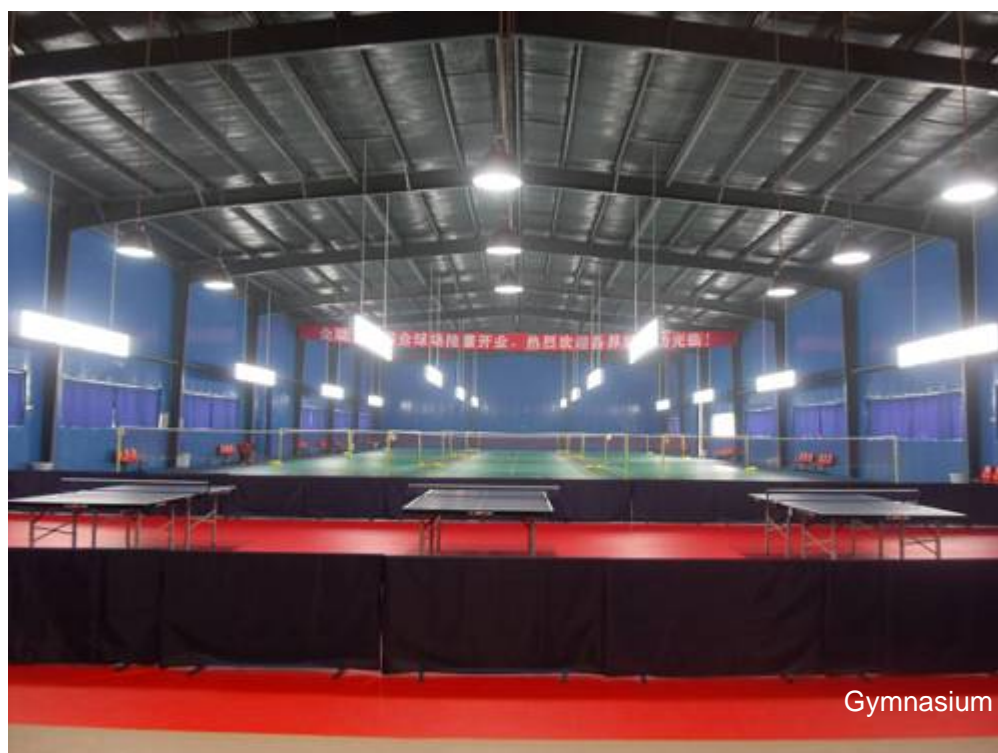
Lamp Shades Packing



Removed from package.

10. Lamp Comparison - LED vs Conventional

E-Lite Bay Light	Flux(lm)	Power	Equivalent power of HID/Vapor lamp
EL-ID-30-LB-N	2400	30W	100W
EL-ID-50-HB/LB-N	4000	50W	150W
EL-ID-60-HB-N	4800	60W	200W
EL-ID-80-HB-N	6000	80W	250W
EL-ID-100-HB-N	7200	100W	300W
EL-ID-120-HB-VA-E40	9500	120W	350W
EL-ID-150-HB-VA-E40	11500	150W	400W
EL-ID-200-HB-VA-E40	15000	200W	700W

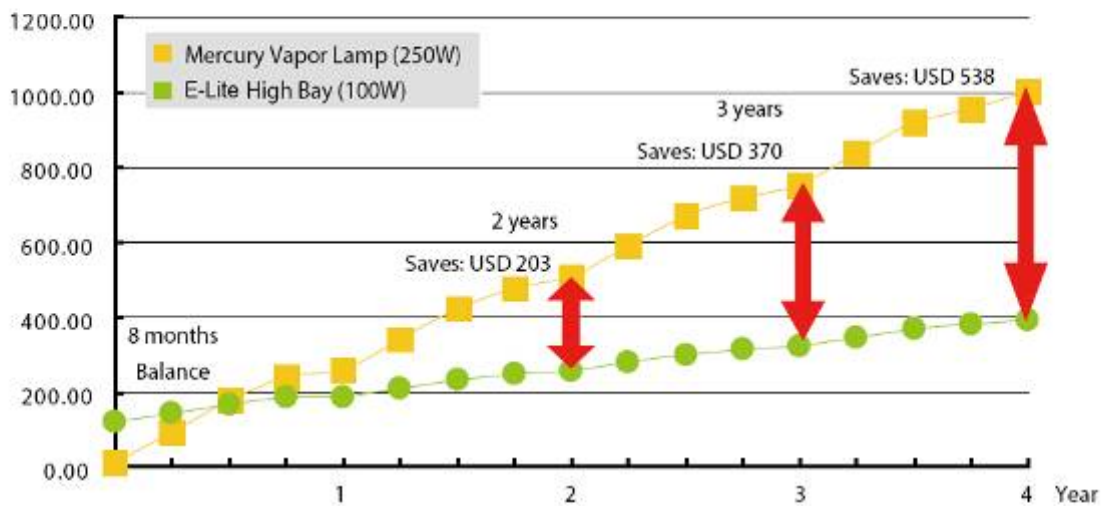
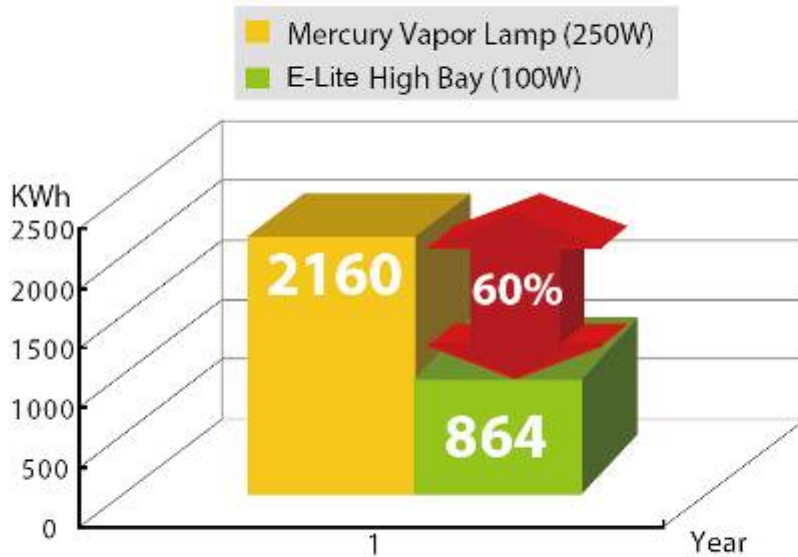


100W LED High Bay Vs 250W Mercury Vapor Lamp

Power saving by 60%

Reduction of greenhouse gas emission by 505kg

Save 36 trees per year



Note : Calculation based on 24 hours of daily operation (c9.41/KWh).

NOTE:

The Product design and specifications are subject to change without prior notice for the purposes of performance improvement.

Other Star Product Highlight



Omni™ LED Floodlight

- Up to 30,000 lumen for 36m high-mount applications
- IP65 protection
- 60% power saving, 90% reduction in greenhouse gas emission. Long lifetimes and highly reliable service, greatly reducing maintenance costs.
- Original Cree chips used
- 50,000 hours service life.



LedsPark™ Garage Light

- 60% power saving, 90% reduction in greenhouse gas emission. Long lifetimes and highly reliable service, greatly reducing maintenance costs.
- LED's own cutoff light property provides high vertical illuminance with minimum glare.
- IP30/IP54 protection
- 50,000 hours service life.



THANK YOU FOR CHOOSING E-LITE

CONTACT US:

E-Lite OptoTech Co., Ltd.
Address: Han's Laser Industrial Park, No.128,
Chongqing Road, Bao'an District, Shenzhen, China/PRC

Tel: 0755-8611-9063
Fax: 0755-2675-5760
E-mail: sales@elite-opto.com
Website: www.elite-opto.com